



RUNDA COPPER

Brass Angle Valve RD-2002

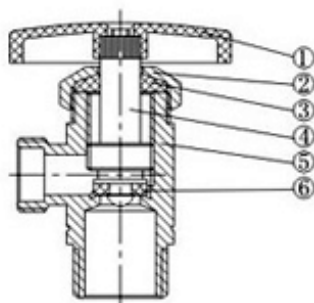


Model: **Brass Angle Valve RD-2002**

Size: 3/8"x1/2", 1/2"x1/2", 3/8"x3/8"

Brass angle valve with plastic handle, made in China, always used for connected the pipeline in the household.

And we can also make the new mould to produce all according the originally sample.



No.	Part	Material
1	Handle	Plastic
2	Bonnet	Brass
3	Gasket	NBR
4	Stem	Brass
5	Body	Brass
6	Gasket	NBR

Valve Products: [Gate valve RD-5001](#) [Gate valve RD-5002](#) [Gate valve RD-5003](#)
[Check valve RD-4001](#) [Check valve RD-4002](#) [Ball valve RD-1002](#) [Ball valve RD-1001](#)
[Angle valve RD-2001](#) [Angle valve RD-2002](#) [Bibcock RD-3001](#) [Bibcock RD-3002](#)

Copy right© 2006 ZHEJIANG YUHUAN RUNDA COPPER CO.,LTD ALL RIGHTS RESERVED

<http://www.vavle-company.com>

Add: Longwang Industrial Area, Yuhuan, Zhejiang Province, China

Links : [Taizhou Trade Network](#)

Tel: 0086-576-7418369 Fax: 0086-576-7418621