



**RUNDA COPPER**

## Brass Gate Valve RD-5001

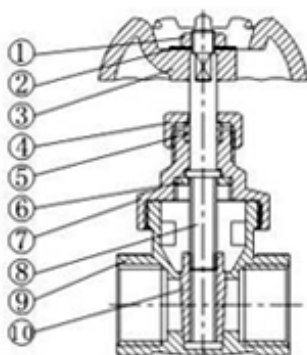


Model: **Brass Gate Valve RD-5001**

Size: 1/2" -- 4"

**Brass gate valve** with iron handle, made in China, always used for connected the pipeline in the household to stop the water flow.

And we can also make the new mould to produce all according the originally sample.



No.	Part	Material
1	Nut	Steel
2	Name Plate	Aluminium
3	Handle Wheel	Aluminium
4	Packing Nut	Brass
5	Gasket	PTFE
6	Lock Nut	Brass
7	Bonnet	Brass
8	Stem	Brass
9	Body	Brass
10	Wedge	Brass

**Valve Products:** [Gate valve RD-5001](#) [Gate valve RD-5002](#) [Gate valve RD-5003](#)  
[Check valve RD-4001](#) [Check valve RD-4002](#) [Ball valve RD-1002](#) [Ball valve RD-1001](#)  
[Angle valve RD-2001](#) [Angle valve RD-2002](#) [Bibcock RD-3001](#) [Bibcock RD-3002](#)

Copy right© 2006 ZHEJIANG YUHUAN RUNDA COPPER CO.,LTD•ALL RIGHTS RESERVED

<http://www.vavle-company.com>

Add: Longwang Industrial Area, Yuhuan, Zhejiang Province, China

Links : [Taizhou Trade Network](#)

Tel: 0086-576-7418369 •Fax: 0086-576-7418621