

Gate Valve RD-5002

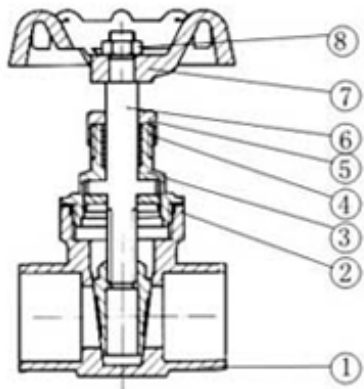


Model: **Brass Gate Valve RD-5002**

Size: 1/2" -- 4"

Brass gate valve with iron handle, made in China, always used for connected the pipeline in the household to stop the water flow.

And we can also make the new mould to produce all according the originally sample.



No.	Part	Material
1	Body	Brass
2	Gasket	PTFE
3	Body Nut	Brass
4	Gasket	PTFE
5	Filling	Brass
6	Stem	Brass
7	Handle Wheel	Steel
8	Nut	Steel

Valve Products: [Gate valve RD-5001](#) [Gate valve RD-5002](#) [Gate valve RD-5003](#)
[Check valve RD-4001](#) [Check valve RD-4002](#) [Ball valve RD-1002](#) [Ball valve RD-1001](#)
[Angle valve RD-2001](#) [Angle valve RD-2002](#) [Bibcock RD-3001](#) [Bibcock RD-3002](#)

Copy right© 2006 ZHEJIANG YUHUAN RUNDA COPPER CO.,LTD•ALL RIGHTS RESERVED

<http://www.vavle-company.com>

Add: Longwang Industrial Area, Yuhuan, Zhejiang Province, China

Links : [Taizhou Trade Network](#)

Tel: 0086-576-7418369 •Fax: 0086-576-7418621